



P&Z ELECTRONICS CO.,LTD

PZ-ER4035 LLC Transformer
 Web: <http://www.dgpinzhan.com>
 E-mail: sales@dgpinzhan.com

Part Code	Date	Production	Type	Version	Page
PZ-ER4035H-601K	2016/5/25	Tom	DIP	A001	1

4.General Properties:

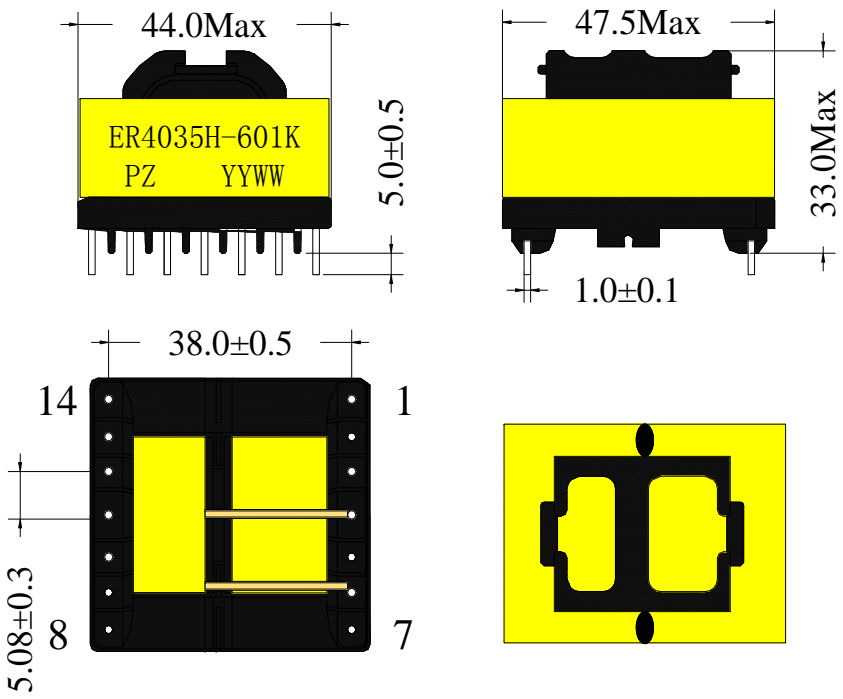
It is recommended that the temperature of the component does not exceed +125°C under worst case conditions.

Storage Temperature:	-20 °C up to +60 °C
Operating Temperature:	-40 °C up to +125 °C
Temperature Rise < 55K.	
Test conditions of Electrical Properties: +20°C, 33% RH if not specified differently.	

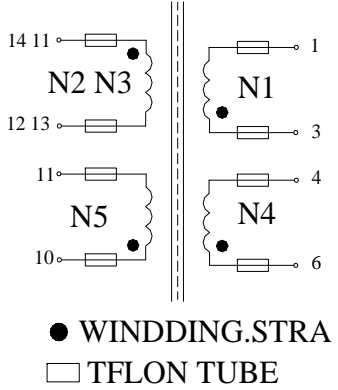
5.Electrical Properties:

Properties	Test conditions	Value	Unit	Tolerance
Inductance:1-3	66KHZ/1V	600	uH	±15%
Leakage inductance:1-3	66KHZ/1V other short	95	uH	Max
Turns ratio:	N2/N3:N1	0.24:1		±1%
Turns ratio:	N4:N1	0.09:1		±1%
Turns ratio:	N5:N1	0.12:1		±1%
Hi-pot: Pri-Sec	AC3000V/3mA/3S		V/(AC)	Pass
Hi-pot: Pri/Sec-Core	AC1500V/3mA/3S		V/(AC)	Pass

1.Dimensions: [mm]



2.Schematic:



3.Winding construction:

