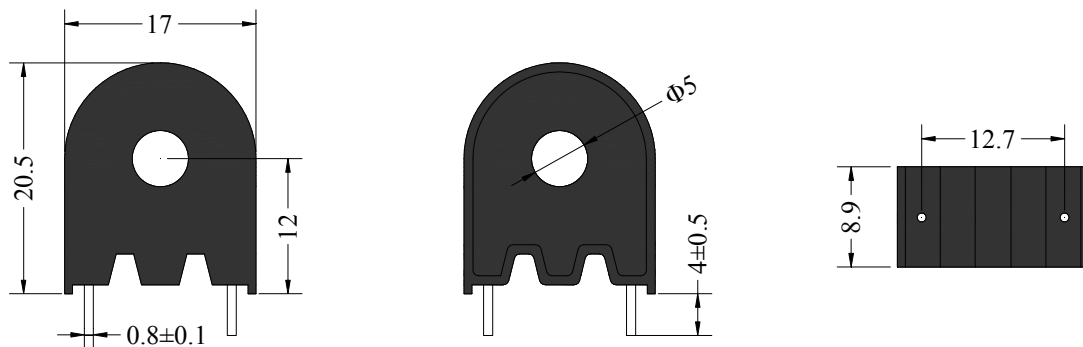


### Features:

Small size, light weight, high precision, moisture-proof, anti-vibration, good consistency

### Dimensions: (Unit: mm)



### Electrical Characteristics:

|  |  |
|--|--|
| <b>Dimensions: Inner Diameter/Outer Diameter/L*W*H</b> | <b><math>\Phi 5 \Phi 17</math> 17*20.5*8.9</b> |
| <b>Input rated current:</b>                            | <b>10A</b>                                     |
| <b>Output rated current</b>                            | <b>10mA</b>                                    |
| <b>Turns ratio</b>                                     | <b>1000:1</b>                                  |
| <b>Phase difference</b>                                | <b><math>\leq 30'</math></b>                   |
| <b>Current Range:</b>                                  | <b>0~20A</b>                                   |
| <b>sLoad Resistance:</b>                               | <b>10<math>\Omega</math></b>                   |
| <b>Accuracy Class</b>                                  | <b>0.2</b>                                     |
| <b>Operating Temperature:</b>                          | <b>-40°C~+85°C</b>                             |
| <b>Isolation Withstand Voltage:</b>                    | <b>4000V</b>                                   |
| <b>Sealing Material:</b>                               | <b>Epoxy</b>                                   |
| <b>Installation Method:</b>                            | <b>PCB</b>                                     |